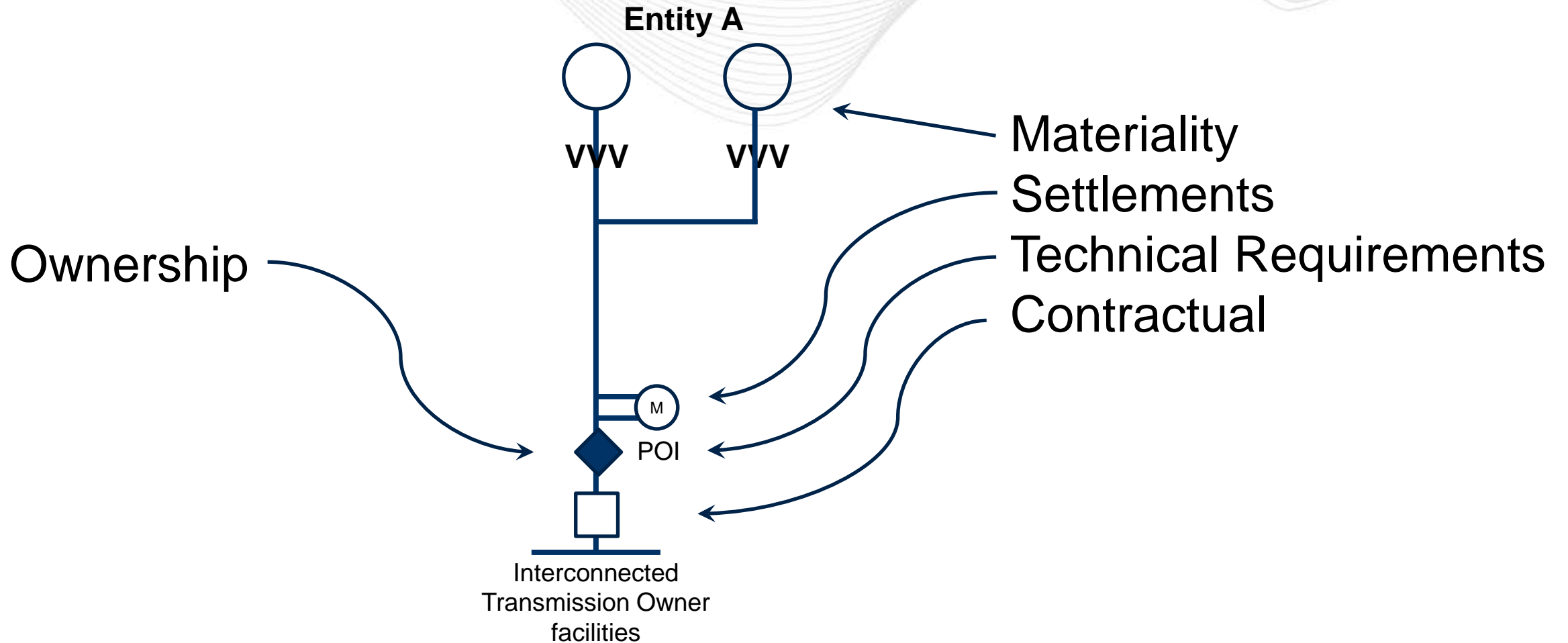
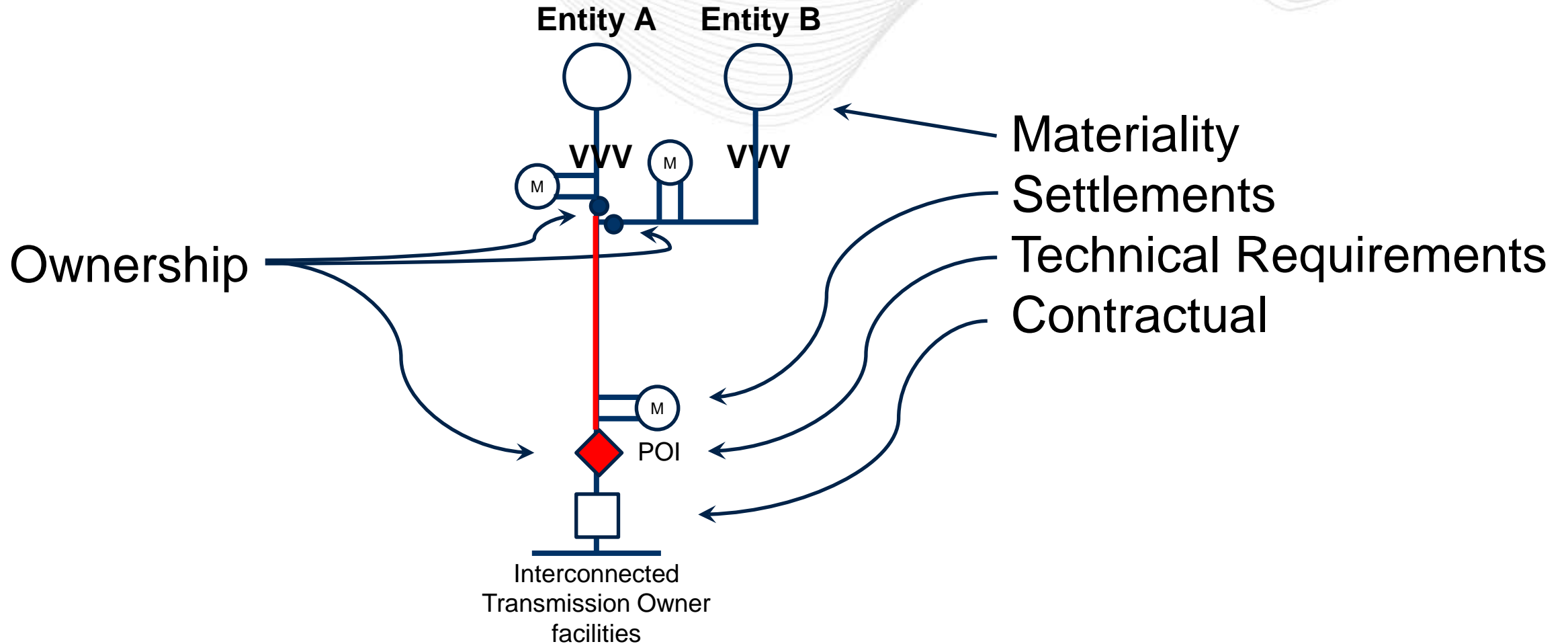




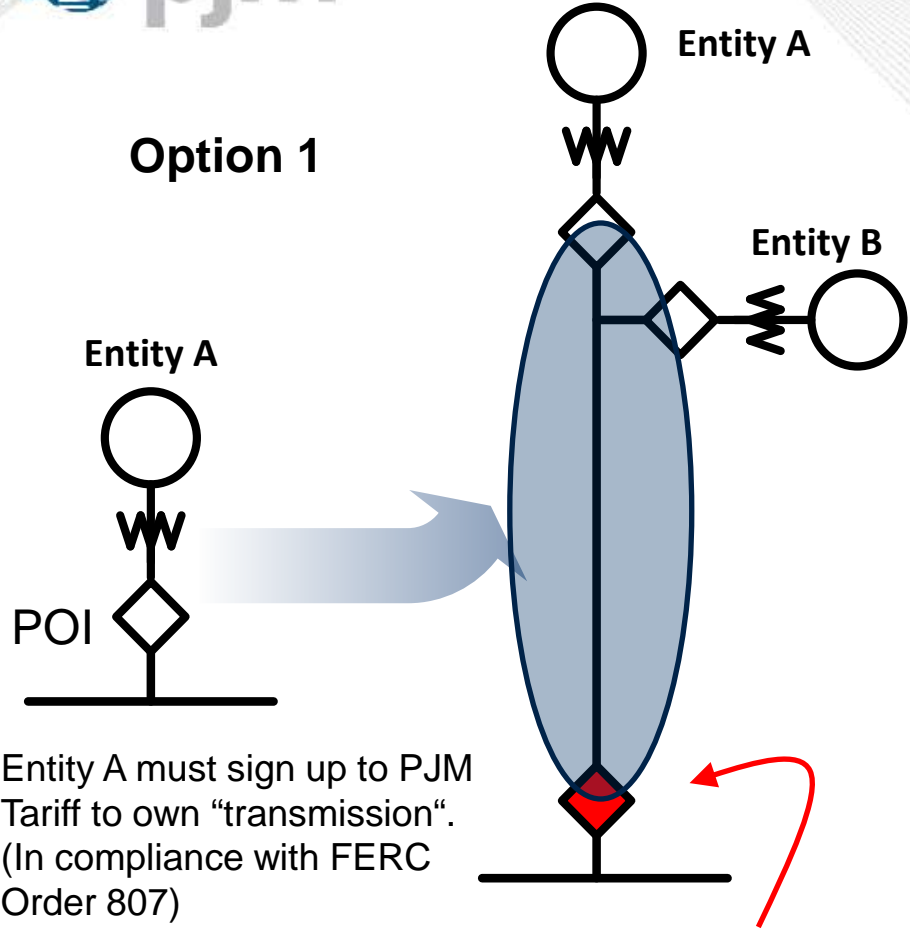
Multiple Entities Behind One POI, Order 807 Scenarios

Presented by David Egan
Manager, Interconnection Projects
Presented to PJM Planning Committee
February 8, 2018





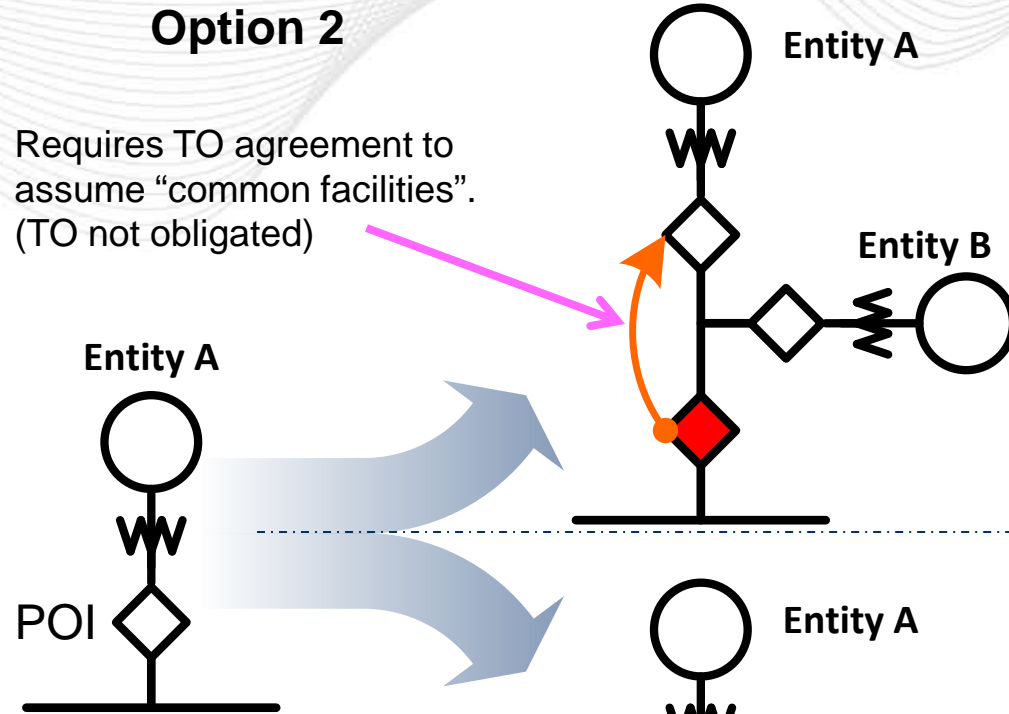
Option 1



Original POI becomes Point of Interconnection for wires to wires agreement with original TO, which establishes power delivery requirements.

Option 2

Requires TO agreement to assume "common facilities". (TO not obligated)

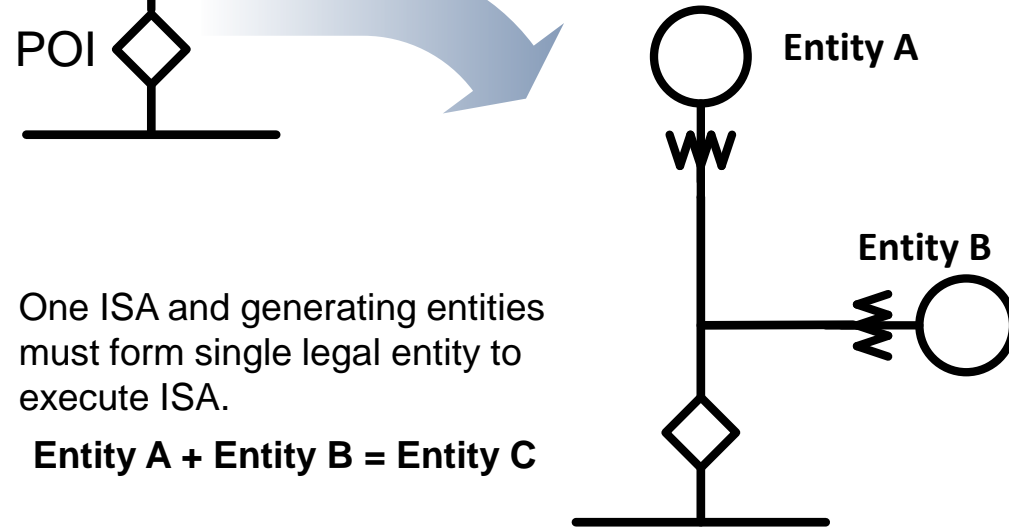


One ISA and generating entities must form single legal entity to execute ISA.

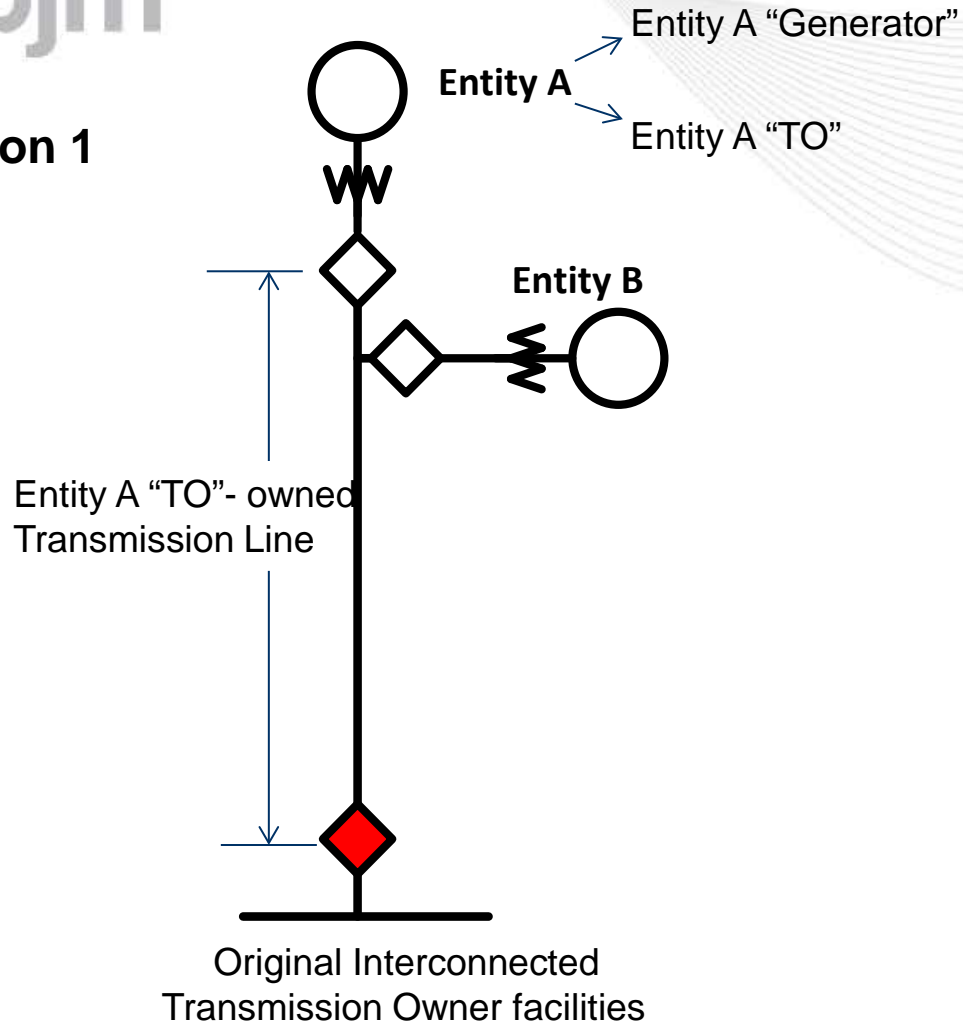
Entity A + Entity B = Entity C

Each generating entity has separate ISA.

Option 3



Option 1



Agreements required for each entity:

Entity A "Generator":

- Three-party Interconnection Service Agreement with Entity A "TO" and PJM

Entity A "TO":

- Wires to Wires agreement with Original Interconnected Transmission Owner
- Three-party Interconnection Service Agreement with Entity B and PJM

Entity B:

- Three-party Interconnection Service Agreement with Entity A "TO" and PJM

Original Interconnection Transmission Owner:

- Wires-to-Wires agreement with Entity A "TO"

Sections 2.1.2.1 and 2.1.2.2:**“Site Control” and “Multiple requests behind the same Point of Interconnection”**

Though a developer may subdivide into separate projects behind the Point of Interconnection (POI), PJM will ultimately have **one** Interconnection Service Agreement or Wholesale Market Participation Agreement with **one** designated controlling entity for the POI:

- Controlling entity assures all participants on its side of the POI operate properly, subdivide proceeds/costs, maintain facilities, and have policies to address issues on the divided system behind the POI.
- PJM is obligated to ensure that the total power injected at the POI does not adversely impact the transmission system and that the request is treated fairly according to the Tariff.
- If TO is unwilling to accept ownership of common Attachment Facilities as their Transmission, then the owner of the Attachment Facilities must sign-up to Tariff for those common facilities.

- V1- 2/5/2018- Original Slides Posted
- V2- 2/7/2018- Clarifications made to options on Slide 4.