



# eDART XML November 2018 Release Enhancements

eDART XML Users Group Meeting  
10/16/2018

- eDART Production server upgrade scheduled for Wednesday, October 17<sup>th</sup>.
  - eDART will be unavailable from 18:00 to 02:00 on Thursday, October 18<sup>th</sup>.
  - Sandbox server upgrade scheduled for today, 15:00 to 16:00.
- Production release of November enhancements scheduled for Thursday, November 1<sup>st</sup>.
  - eDART will be unavailable from 19:00 to 02:00 on Friday, November 2<sup>nd</sup>.
  - Sandbox release **TBD.**

- **General Discussion Topics**
- Generation Related Enhancements
- Transmission Related Enhancements
- Question and Answer Resolution Session

- PJM issued a new eDART GO Survey on **October 8, 2018 effective 16:00 EPT**, with a focus on Generator Fuel Inventory and Emissions updates for upcoming 2018/2019 winter season.
- PJM requires that generating resources complete the survey no later than **23:59 EPT on November 16, 2018**.
- Please contact [edartgosurvey@pjm.com](mailto:edartgosurvey@pjm.com) with any questions related to the survey or tool.

- Currently there are 500 to 700 eDART user accounts that have not logged in at least since 2017.
- Account Clean Up Timeline (November 5-9 2018):
  - Accounts with last login more than 365 days in the past will be locked.
  - Accounts locked for more than 365 days will be revoked.
  - Emails with list of dormant users will be sent to Customer Account Managers (CAM).

- Q3 2018
  - Development and Testing of Transmission Tickets and Reports
- Q4 2018
  - Development and Testing of:
    - Hydro Schedule
    - Generation Reports
- Q1 2019
  - Development and Testing of:
    - Generation Tickets
    - Reactive Reserve Check (RRC) Forms and Reports

- The Voltage Schedule tool is a new eDART web-based tool to aid compliance monitoring of Voltage Schedule communication between PJM, TOs and GOs.
- Production release tentatively scheduled for November 14<sup>th</sup>.
- eDART User Group meeting will be scheduled to review user functionality and expectations.

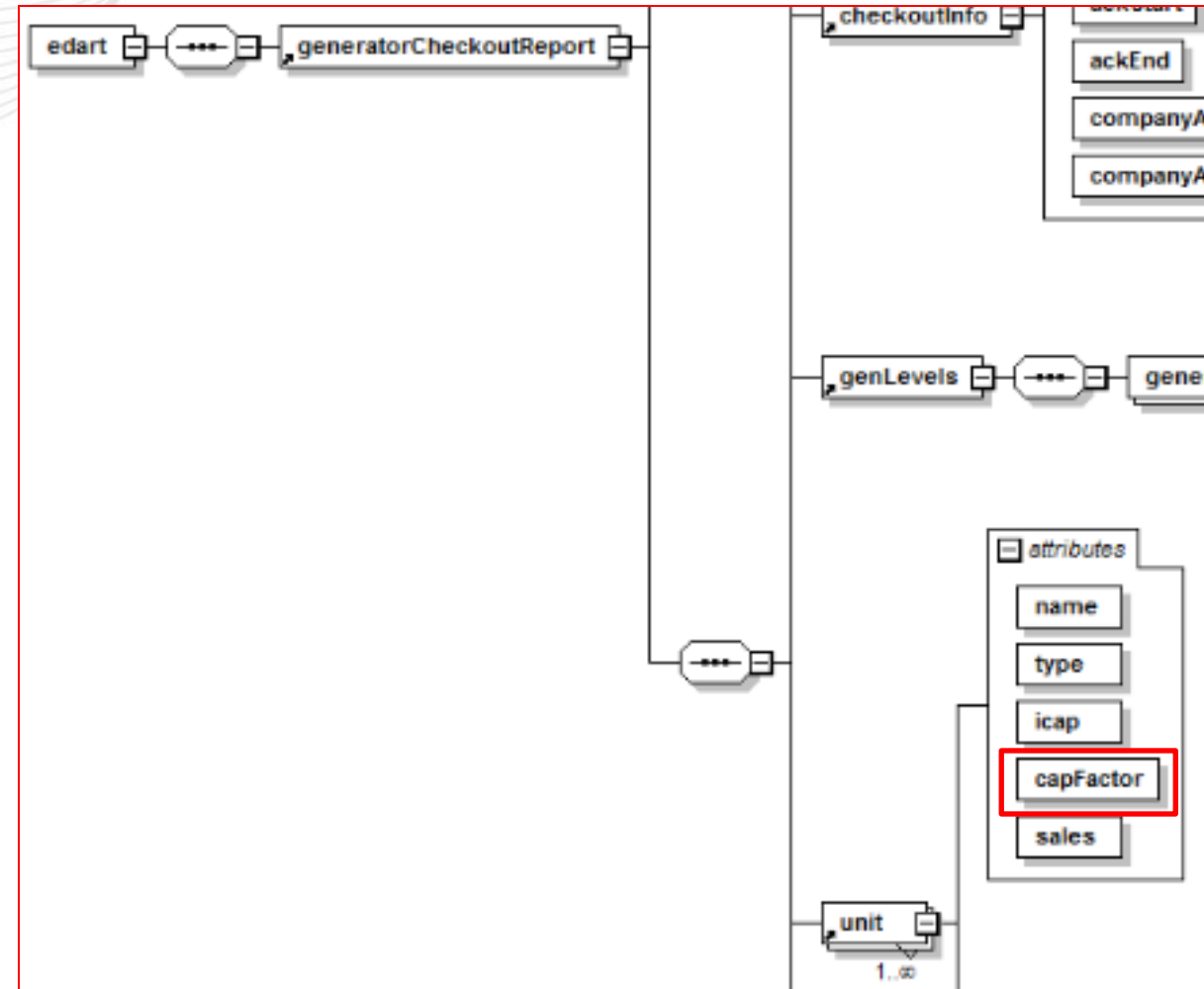
- **Company Distributed Workflow functionality (2019)**
  - Company admins will be able to assign agent companies to act on the behalf of member companies.
  - Company admins for Generation companies will be able to split responsibilities and tasks on a per unit/per user basis.
  - Minimize the need for multiple sub-accounts per company and multiple user accounts per person.
- **Voltage Limits (2019):** new tool for transmission users to view and submit voltage limits information.



- General Discussion Topics
- **Generation Related Enhancements**
- Transmission Related Enhancements
- Question and Answer Resolution Session

- 'id' parameter for generation ticket download updated to return ticket regardless of the includehistorical parameter value.

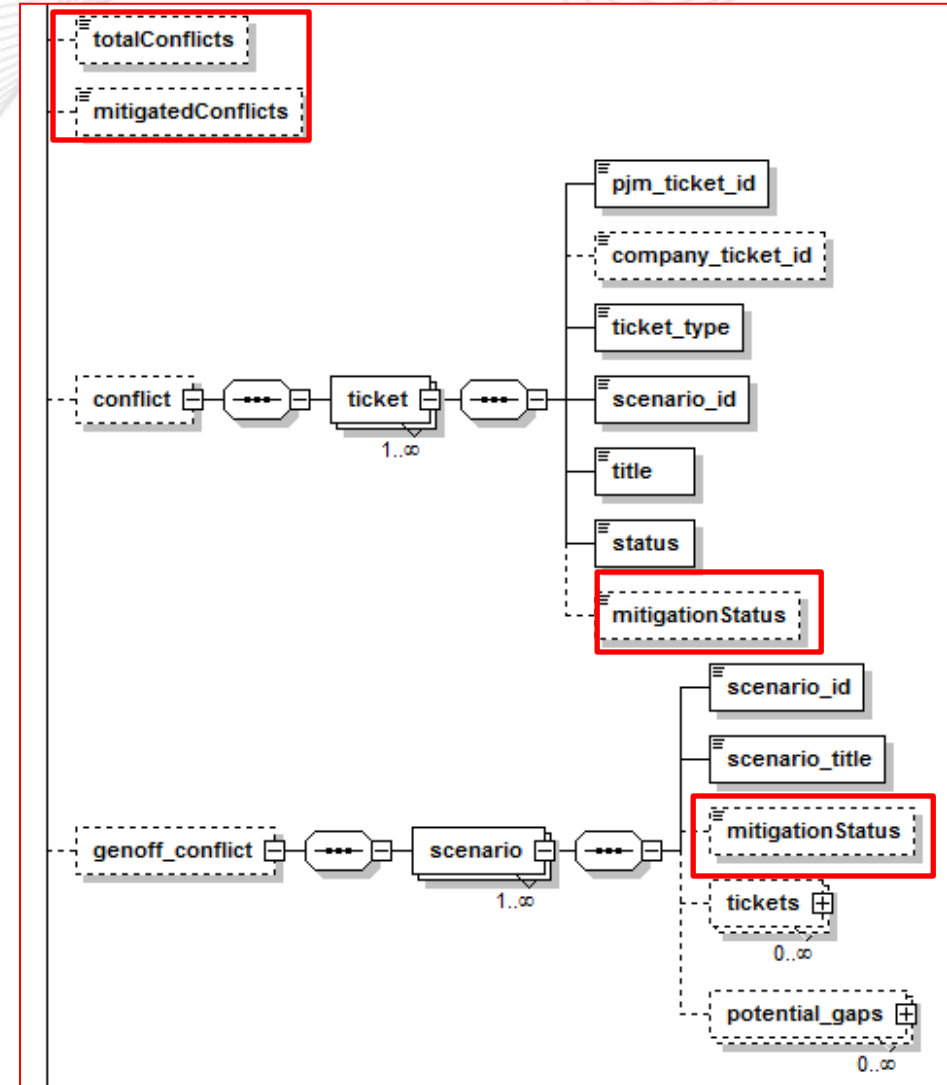
- capFactor attribute added to Gen Checkout download.
  - Indicates the unit's capacity factor used in Gen Checkout calculations.
  - 40% of ICAP for Solar units.
  - 13% of ICAP for Wind units.



- General Discussion Topics
- Generation Related Enhancements
- **Transmission Related Enhancements**
- Question and Answer Resolution Session

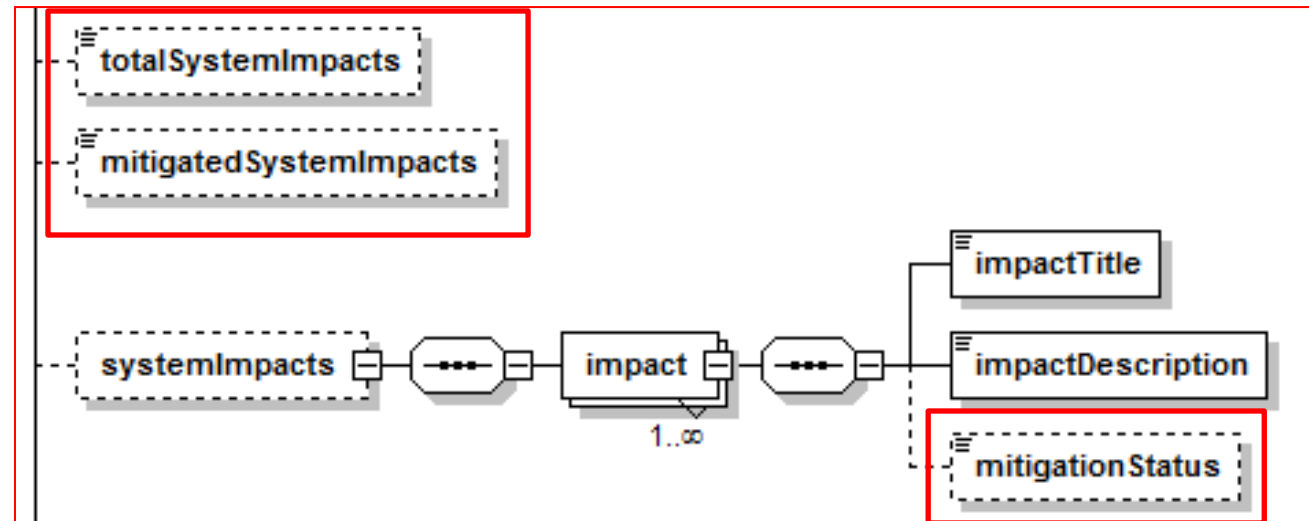
- New functionality added for PJM to mitigate individual outage conflicts on a ticket.
- <mitigated\_flag> and <mitigated\_comments> on transmission outage ticket review download removed.
- New tags added:
  - <totalConflicts>: number of conflicts in ticket.
  - <mitigatedConflicts>: number of mitigated conflicts.
  - <mitigationStatus>: status of conflict.

- Mitigation Status include:
  - Real Time Only
  - N/A
  - Needs Review
  - In Progress
  - Completed - Mitigated
  - Past - Do not Use



- New functionality added for PJM to mitigate system impact notes on transmission tickets.
- New tags added:
  - <totalSystemImpacts>: number of system impact notes on ticket.
  - <mitigatedSystemImpacts>: number of mitigated system impact notes.
  - <mitigationStatus>: status of system impact note.

- Mitigation Status include:
  - Real Time Only
  - N/A
  - Needs Review
  - In Progress
  - Completed - Mitigated
  - Past - Do not Use





- Transmission Equipment List download modified to only include units that are flagged as SVCs.
  - Download type = equipment.
- Previously, the download included all generators TO is approved to see.
  - TO can only submit tickets for SVCs.

- New Include Historical parameter:
  - By default, downloads will return current information; user can use parameter to specifically request historical information (tickets completed or cancelled more than 40 days in the past.).
  - Will help reduce size of files transferred and improve performance.
  - Parameter name = includehistorical (true/false; false by default).
- Impacted downloads: term, termbydate, termi, gettermattachments, termrxb (for adjustmentHistory).

- General Discussion Topics
- Generation Related Enhancements
- Transmission Related Enhancements
- **Question and Answer Resolution Session**

- [edarthelp@pjm.com](mailto:edarthelp@pjm.com)
- Vy Le: [vy.le@pjm.com](mailto:vy.le@pjm.com)
- Chidi Ofoegbu: [chidi.ofoegbu@pjm.com](mailto:chidi.ofoegbu@pjm.com)