

Public Distribution Microgrids

Natalie Tacka, Applied Innovation

Operating Committee

December 3, 2020

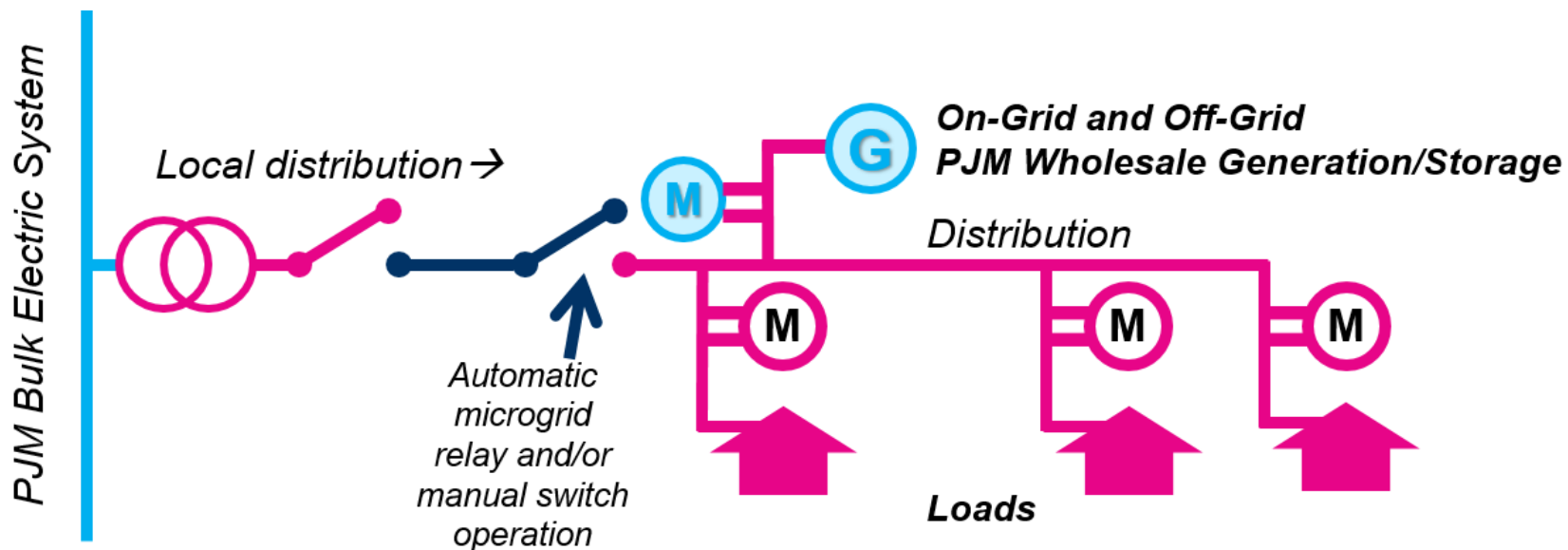
Background & Endorsement Timeline

- Single package on Public Distribution Microgrid Business Rules through DER & Inverter-Based Resources Subcommittee

Stakeholder Body	NOV	DEC	JAN
DIRS	11/02 – review draft language		
SOS	11/02 – review draft language	11/30 – endorsement	
OC	11/06 – first read	12/03 – endorsement	
MIC	11/05 – first read	12/02 – endorsement	
MRC		12/17 – first read	Jan 2021 – endorsement

Public Distribution Microgrid Concept

- A **microgrid** is a system of generation + load that can run on-grid or off-grid.
- A Public Distribution Microgrid is **operated by the distribution utility** and uses **public utility distribution wires** to serve load during islanding.
- A Public Distribution Microgrid Generator is a **PJM wholesale generator** capable of operating while connected to or islanded from the broader grid.
- The Electric Distribution Company determines if the Public Distribution Microgrid is **wholesale or retail when islanded**.



Package Summary & Impacted Manuals

For OC
Endorsement

Manual Language	Components
M-14D , Section 4.2.2	<ul style="list-style-type: none"> • New table row for telemetry requirements
M-14D , Appendix B: Public Distribution Microgrid Business Rules	<ul style="list-style-type: none"> • Definitions* • Provisions for operations in island mode <ul style="list-style-type: none"> • Telemetry requirements • Notification requirements* • Outage reporting
M-14D , Appendix C: Voluntary Guideline on Public Distribution Microgrid Operations	<ul style="list-style-type: none"> • Reasons islanding should and should not occur
M-11 , Section 2.3.3.5*	<ul style="list-style-type: none"> • Provisions for reflecting islanded condition in resource availability for Energy and Ancillary Services
M-18 , Section 8.4A	<ul style="list-style-type: none"> • Clarification for PAI treatment of PDM Generators that are Generation Capacity Resources

*Updates from first read

Detailed proposal presentation from DER & Inverter-Based Resources Subcommittee: <https://www.pjm.com/-/media/committees-groups/subcommittees/dirs/2020/20200803/20200803-item-10-public-distribution-microgrids-pjm-proposal-overview.ashx>

DIRS Facilitator:
 Scott Baker, scott.baker@pjm.com

DIRS Secretary:
 Hamad Ahmed, hamad.ahmed@pjm.com

Presenter:
 Natalie Tacka, natalie.tacka@pjm.com

Public Distribution Microgrids



Member Hotline

(610) 666 – 8980

(866) 400 – 8980

custsvc@pjm.com